

MASTER DIRECT OIL HEATERS

MODEL 65 CEL 20 kW

PARTS LIST

| Key No. | Part Number | Description | Qty. | Key No. | Part Number | Description | Qty. |
|---------|-------------|---------------------------|------|------------------------------------|-------------|----------------------------|------|
| 1 | 4110.130 | Handle | 1 | 16 | 4108.486 | Hex Lock Nut, 1/4-20 | 2 |
| 2 | 4110.121 | Upper Shell | 1 | 17 | 4110.124 | Screw/Lockwasher, 1/2" | 4 |
| 3 | 4160.602 | Screw | 2 | 18 | 4150.553 | Rubber Bumper | 2 |
| 4 | 4109.590 | Screw/Lockwasher | 6 | 19 | 4100.635 | Side Cover | 1 |
| 5 | 4104.090 | Combustion Chamber | 1 | 20 | 4110.187 | Motor Bracket | 1 |
| 6 | 4103.529 | Screw, #6-32 x 3/8" | 2 | 21 | 4101.151 | Bushing | 1 |
| 7 | 4100.658 | Photocell Bracket | 1 | 22 | 4104.170 | Clip Nut | 6 |
| 8 | 4103.590 | Photocell Assembly | 1 | 23 | 4101.152 | Bushing | 1 |
| 9 | ** | Burner Strap Assembly | 1 | 24 | 4110.124 | Screw/Lockwasher, 1/2" | 6 |
| 9-1 | 4100.647 | Nozzle Assembly | 1 | 25 | 4110.133 | Screw | 1 |
| 9-2 | 4110.132 | Ignitor | 1 | 26 | 4110.122 | Lower Shell | 1 |
| 9-3 | 4100.664 | Nozzle Adapter | 1 | 27 | 4104.147 | Rubber Airline | 1 |
| 9-4 | 4100.653 | Nozzle Adapter Bracket | 1 | 28 | 4109.567 | Fuel Line | 1 |
| 9-5 | 4100.669 | Screw, #6-32 x 7/8" | 1 | 29 | 4103.875 | Fuel Filter | 1 |
| 9-6 | 4100.660 | Belleville Washer | 1 | 30 | 4100.541 | Rubber Bushing | 1 |
| 10 | 4110.124 | Screw/Lockwasherr | 2 | 31 | 4100.656 | Nylon Locknut | 1 |
| 11 | 4100.662 | Fan | 1 | 32 | 4100.654 | PCB Support | 5 |
| 12 | ** | Motor and Pump Assembly | 1 | 33 | 4110.142 | PC Board | 1 |
| 12-1 | 4110.079 | Motor | 1 | 34 | 4103.891 | Fuel Cap (Includes Gasket) | |
| 12-2 | 4101.317 | Pump Body | 1 | 35 | 4110.140 | Fuel Tank | 1 |
| 12-3 | 4108.635 | Insert | 1 | 36 | 4100.671 | Shell Heat-Shield | 1 |
| 12-4 | 4108.627 | Rotor | 1 | 37 | 4110.134 | Nut | 3 |
| 12-5 | 4109.724 | Pump End Cover | 1 | 38 | 4110.075 | Vinyl Foam Gasket | 1 |
| 12-6 | 4109.716 | Lint Filter | 1 | 39 | 4160.613 | Lockwasher | 1 |
| 12-7 | 4109.690 | Intake Filter | 1 | 40 | 4110.036 | Wire Assembly (Brown) | 1 |
| 12-8 | 4109.674 | End Cover | 1 | 41 | 4100.667 | ON/OFF Switch | 1 |
| 12-9 | 4108.528 | Screw, #10-32 x 1" | 3 | 42 | 4104.336 | Switch Cover | 1 |
| 12-10 | 4102.133 | Adjusting Screw | 1 | 43 | 4110.037 | Wire Assembly (White) | 1 |
| 12-11 | 4102.141 | Pressure Relief Spring | 1 | PARTS AVAILABLE - NOT SHOWN | | | |
| 12-12 | 4102.125 | Plug | 1 | | | | |
| 12-13 | 4108.379 | Steel Ball, 1/4" Diameter | 1 | | 4105.292 | Filler Neck Screen | 1 |
| 12-14 | 4109.708 | Output Filter | 1 | | 4161.829 | PC Board Fuse | 1 |
| 12-15 | 4108.528 | Screw #10-32 x 1" | 6 | | | | |
| 12-16 | 4100.661 | Nylon Elbow, 90 | 1 | | | | |
| 12-17 | 4101.200 | Blade | 4 | | | | |
| 12-18 | 4108.588 | Screw, #10-32 x 5/8" | 2 | | | | |
| 12-19 | 4100.666 | Plastic Cap | 1 | | | | |
| 13 | 4103.685 | Fan Guard | 1 | | | | |
| 14 | 4110.038 | Power Cord | 1 | | | | |
| 15 | 4150.528 | Strain Relief Bushing | 1 | | | | |

** Parts not available as an assembly, order parts separately.

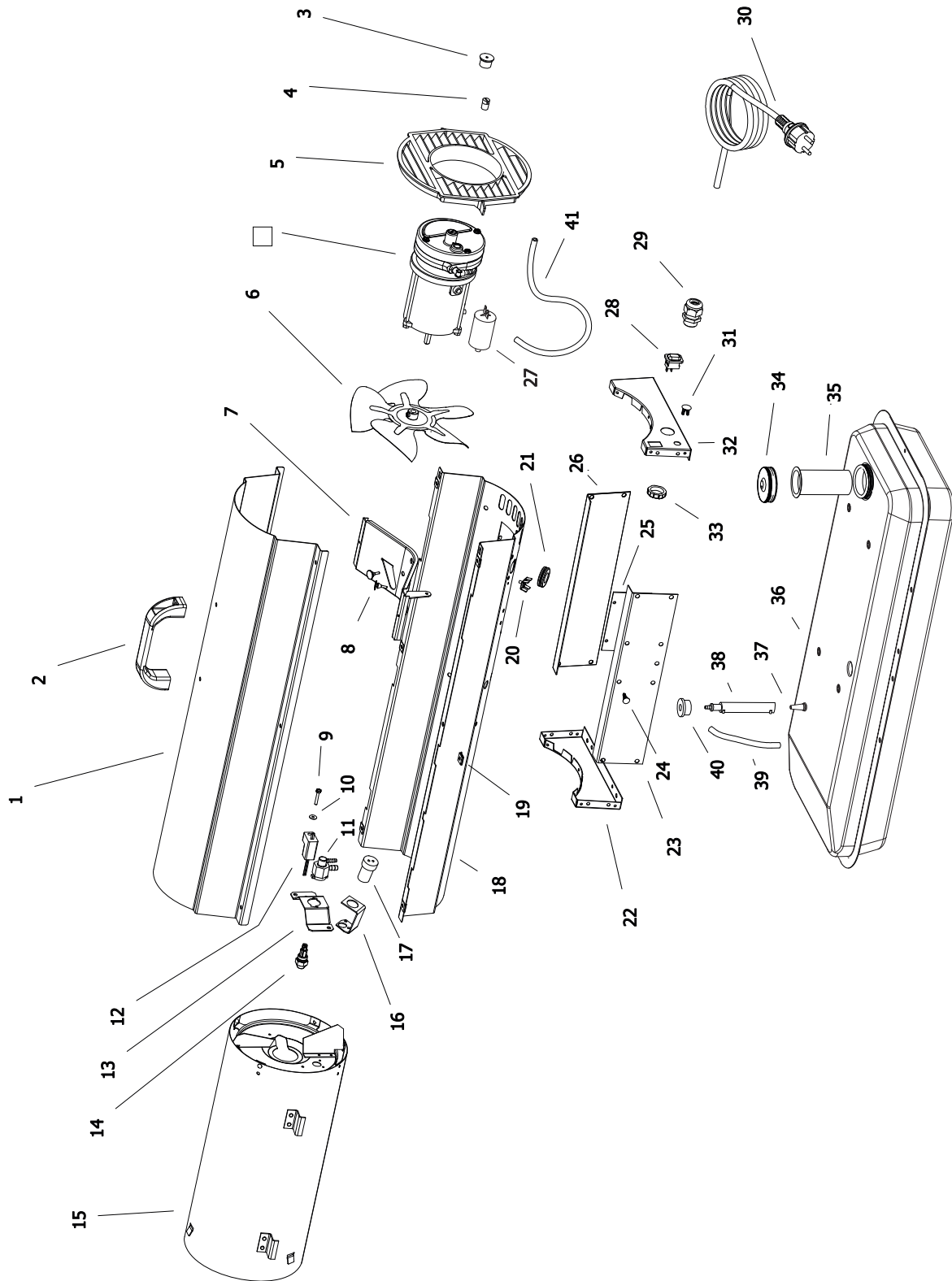
MODEL B65 CEL

UNIT 1

ILLUSTRATED PARTS BREAKDOWN

From Serial Number: 29109244

Edizione 2010
Rev. A



MODEL B65 CEL

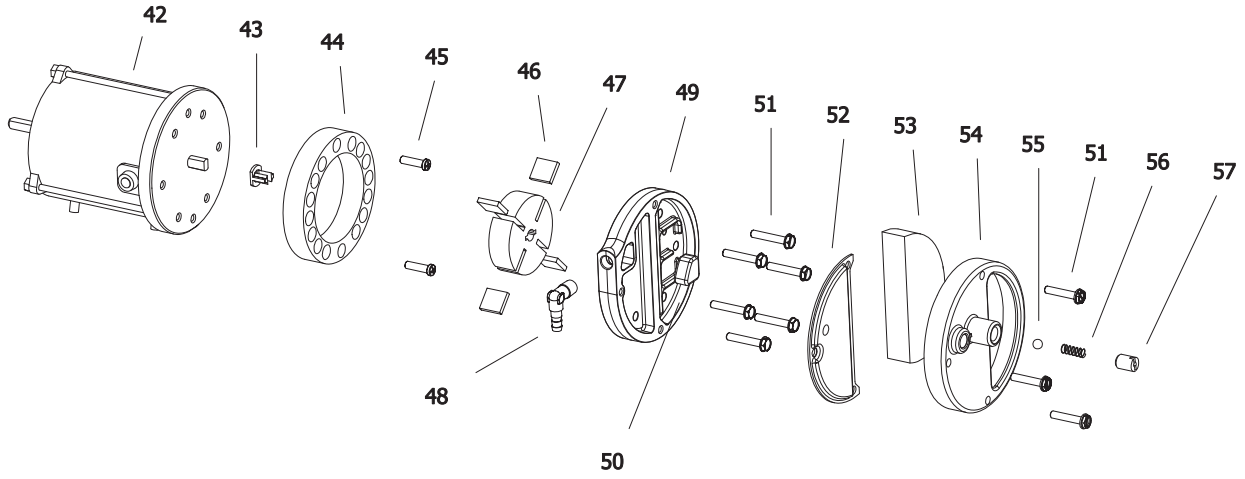
UNIT 2

ILLUSTRATED PARTS BREAKDOWN

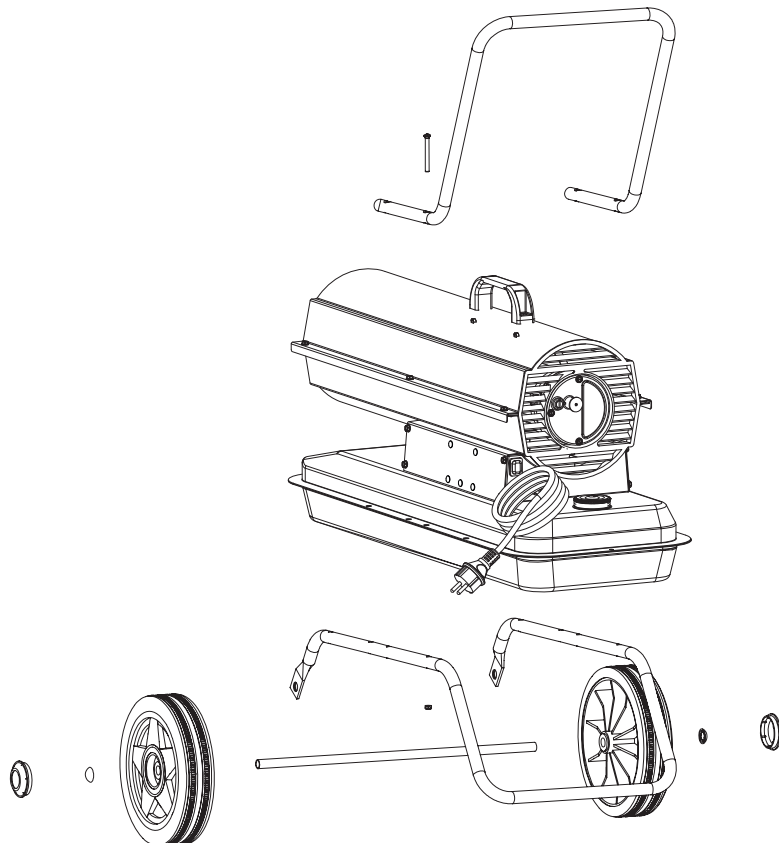
A

From Serial Number: 29109244

Edizione 2010
Rev. A



4103.925 Wheel Kit



MODEL B 65 CEL

| Pos. | Code NR | Description |
|------|----------|------------------------------|
| 1 | S/R | UPPER SHELL |
| 2 | 4160.715 | PLASTIC HANDLE |
| 3 | 4100.666 | COVER CAP |
| 4 | 4102.125 | PRESSURE GAUGE CAP |
| 5 | 4103.685 | FAN GUARD |
| 6 | 4100.662 | FAN |
| 7 | 4110.187 | MOTOR BRACKET |
| 8 | 4150.553 | BUMPER |
| 9 | 4100.669 | SCREW |
| 10 | 4100.660 | WASHER |
| 11 | 4100.664 | NOZZLE ADAPTER |
| 12 | 4110.132 | IGNITOR |
| 13 | 4100.653 | NOZZLE BRACKET |
| 14 | 4100.647 | NOZZLE |
| 15 | 4110.126 | COMBUSTION CHAMBER |
| 16 | 4100.658 | PHOTOCELL BRACKET |
| 17 | 4103.590 | PHOTOCELL ASSEMBLY |
| 18 | S/R | LOWER SHELL |
| 19 | 4104.170 | CLIP NUT |
| 20 | 4160.639 | POP RIVET WITH TERMIN. 4 WAY |
| 21 | 4160.646 | CABLE PROTECTION |
| 22 | 4110.113 | FRONT FRAME BRACKET |
| 23 | 4100.635 | CONTROL BOX SIDE PANEL |
| 24 | 4110.460 | PC BOARD SUPPORT |
| 25 | 4110.142 | IGNITION CONTROL ASSEMBLY |
| 26 | 4110.560 | SIDE PANEL |
| 27 | 4110.293 | CAPACITOR |
| 28 | 4100.667 | ON/OFF SWITCH |
| 29 | 4150.528 | STRAIN RELIEF |
| 30 | 4110.451 | POWER CORD |
| 31 | 4100.649 | PLASTIC CAP |
| 32 | 4110.514 | REAR FRAME BRACKET |
| 33 | 4100.656 | LOCKNUT |
| 34 | 4103.891 | FUEL TANK CAP |
| 35 | 4105.292 | FUEL TANK FILTER |
| 36 | 4110.895 | FUEL TANK |
| 37 | 4110.356 | FUEL FILTER |
| 38 | 4110.391 | FUEL LINE |
| 39 | 4110.032 | FUEL LINE |

MODEL B 65 CEL

| Pos. | Code NR | Description |
|------|----------|-------------------------|
| 40 | 4100.541 | RUBBER BUSHING |
| 41 | 4104.147 | AIR LINE |
| 42 | 4110.480 | MOTOR 1/8 HP |
| 43 | 4108.635 | INSERT |
| 44 | 4101.317 | PUMP BODY |
| 45 | 4108.588 | PUMP BODY SCREW |
| 46 | 4101.200 | BLADE |
| 47 | 4108.627 | ROTOR |
| 48 | 4100.661 | BARB ELBOW |
| 49 | 4109.724 | PUMP END COVER |
| 50 | 4109.716 | LINT FILTER |
| 51 | 4108.528 | SCREW/LOCKWASHER 4,8x25 |
| 52 | 4109.708 | OUTPUT FILTER |
| 53 | 4109.690 | INTAKE FILTER |
| 54 | 4109.674 | END COVER |
| 55 | 4108.379 | STEEL BALL |
| 56 | 4102.141 | PRESSURE RELIEF SPRING |
| 57 | 4102.133 | ADJUSTING SCREW |
| ... | 4103.925 | WHEEL KIT HD B35/70 |

S/R = Parts available on special request only

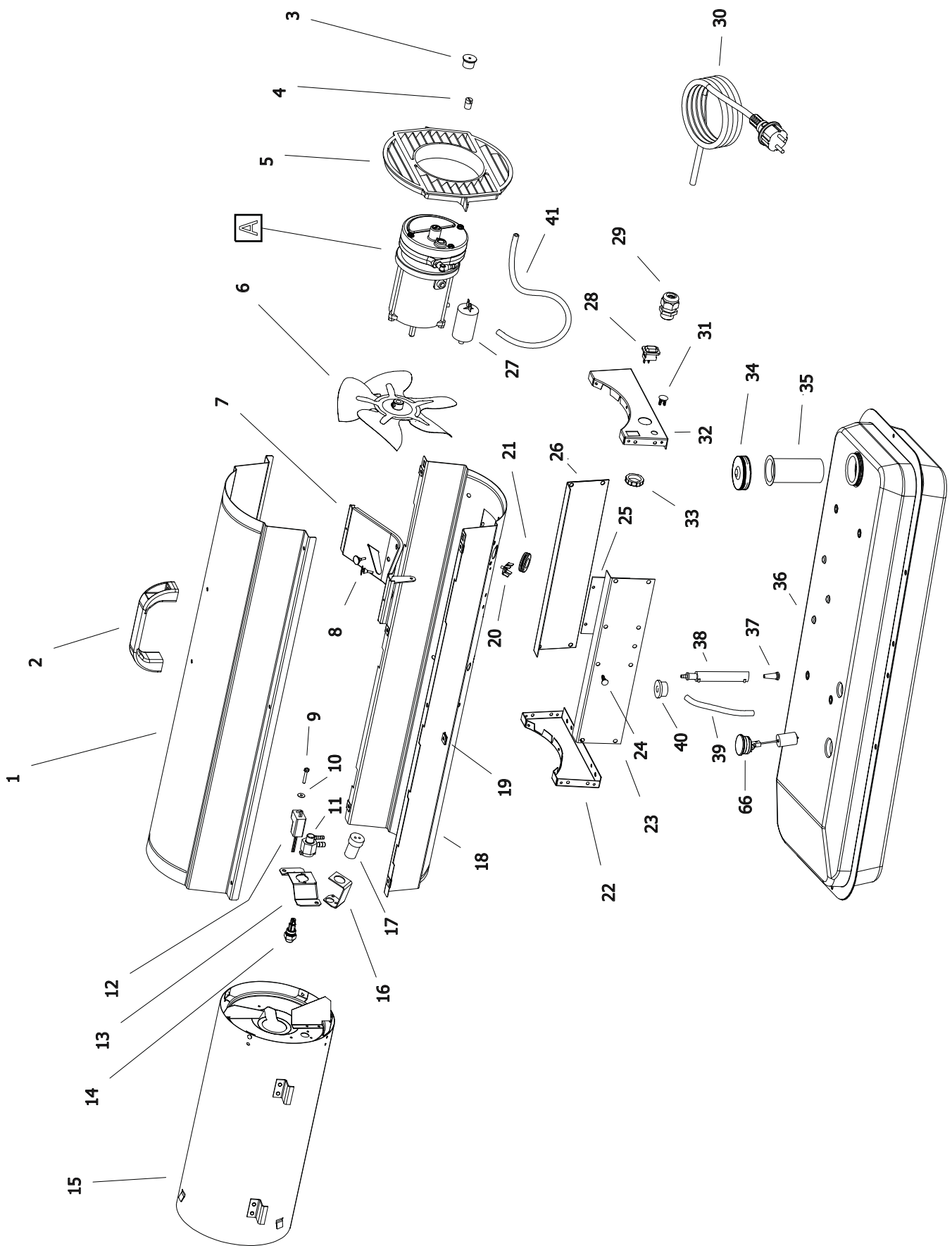
B 65 CEL MODEL 2012

UNIT 1

ILLUSTRATED PARTS BREAKDOWN

From Serial Number: 32104294

Edizione 2012
Rev. A



B 65 CEL MODEL 2012

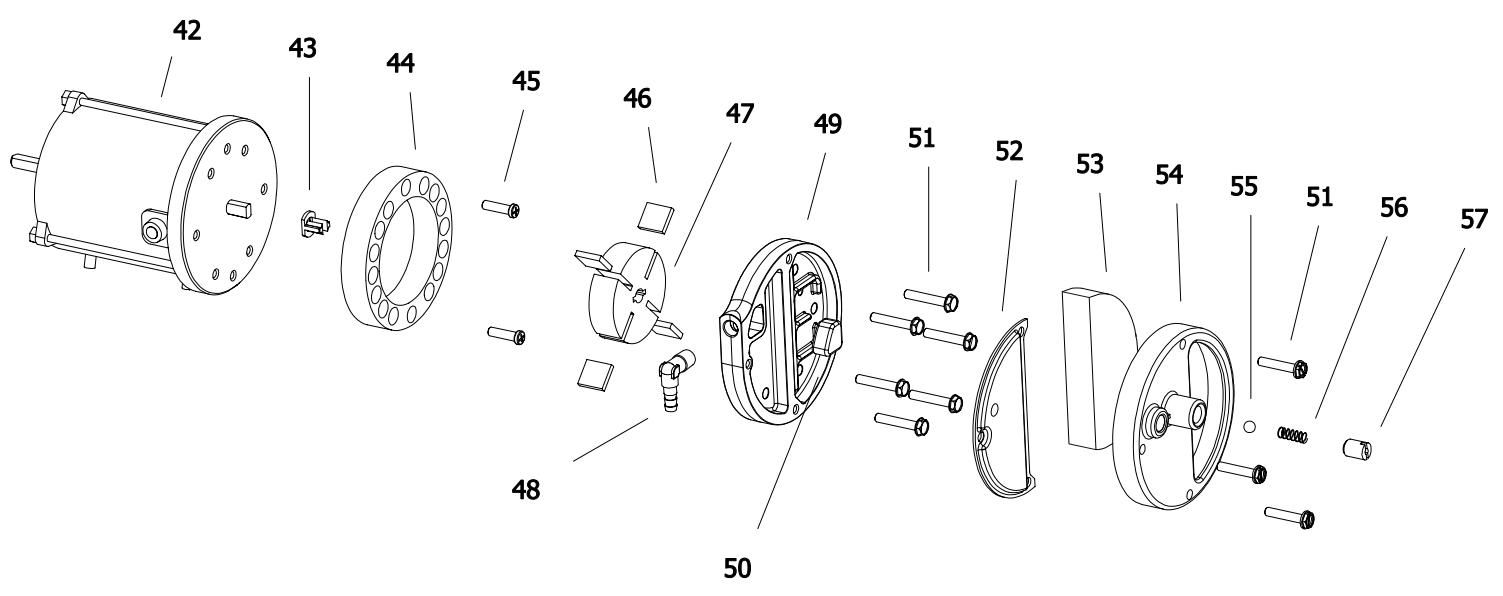
UNIT 2

ILLUSTRATED PARTS BREAKDOWN

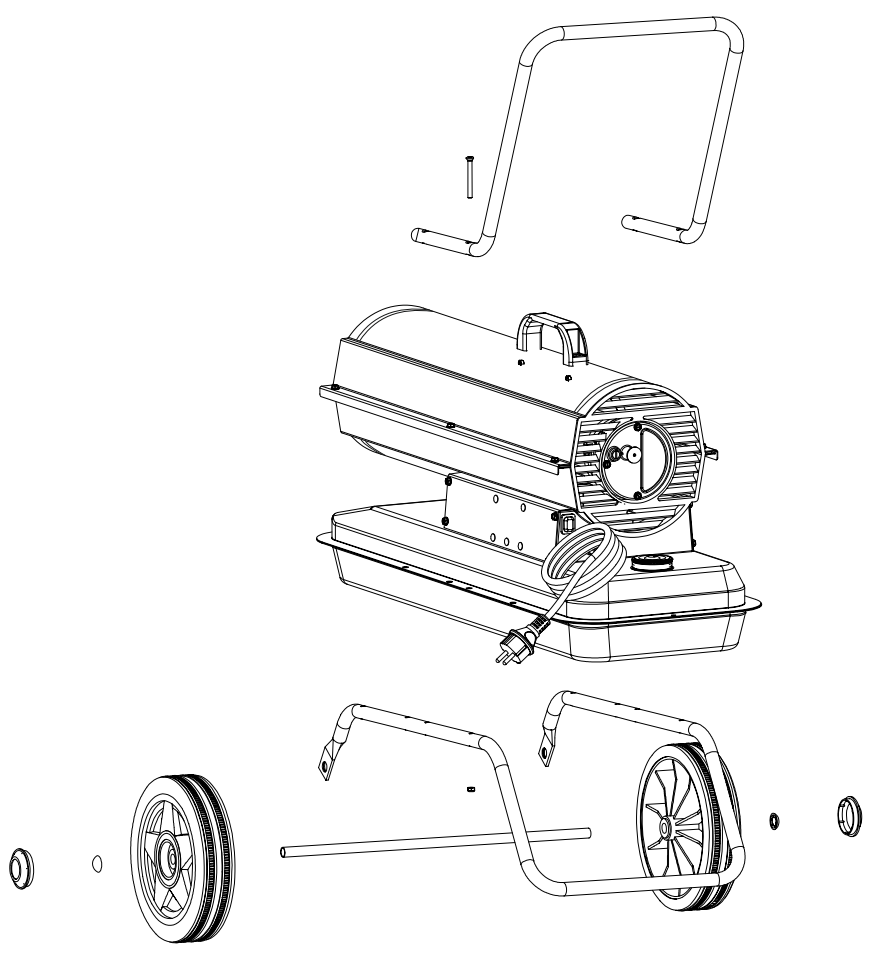
A

From Serial Number: 32104294

Rev A - May 2012



4103.925 WHEEL KIT



| Pos. | Code NR | Description |
|-------------|----------------|------------------------------|
| 1 | 4110.121 | UPPER SHELL |
| 2 | 4162.893 | PLASTIC HANDLE |
| 3 | 4100.666 | COVER CAP |
| 4 | 4102.125 | PRESSURE GAUGE CAP |
| 5 | 4103.685 | FAN GUARD |
| 6 | 4100.662 | FAN |
| 7 | 4110.187 | MOTOR BRACKET |
| 8 | 4150.553 | BUMPER |
| 9 | 4100.669 | SCREW |
| 10 | 4100.660 | WASHER |
| 11 | 4100.664 | NOZZLE ADAPTER |
| 12 | 4110.132 | IGNITOR |
| 13 | 4100.653 | NOZZLE BRACKET |
| 14 | 4100.647 | NOZZLE |
| 15 | 4110.126 | COMBUSTION CHAMBER |
| 16 | 4100.658 | PHOTOCELL BRACKET |
| 17 | 4103.590 | PHOTOCELL ASSEMBLY |
| 18 | 4110.122 | LOWER SHELL |
| 19 | 4104.170 | CLIP NUT |
| 20 | 4160.639 | POP RIVET WITH TERMIN. 4 WAY |
| 21 | 4160.646 | CABLE PROTECTION |
| 22 | 4110.113 | FRONT FRAME BRACKET |
| 23 | 4100.635 | CONTROL BOX SIDE PANEL |
| 24 | 4110.460 | PC BOARD SUPPORT |
| 25 | 4110.142 | IGNITION CONTROL ASSEMBLY |
| 26 | 4110.560 | SIDE PANEL |
| 27 | 4110.293 | CAPACITOR |
| 28 | 4100.667 | ON/OFF SWITCH |
| 29 | 4150.528 | STRAIN RELIEF |
| 30 | 4110.451 | POWER CORD |
| 31 | 4100.649 | PLASTIC CAP |
| 32 | 4110.514 | REAR FRAME BRACKET |
| 33 | 4100.656 | LOCKNUT |

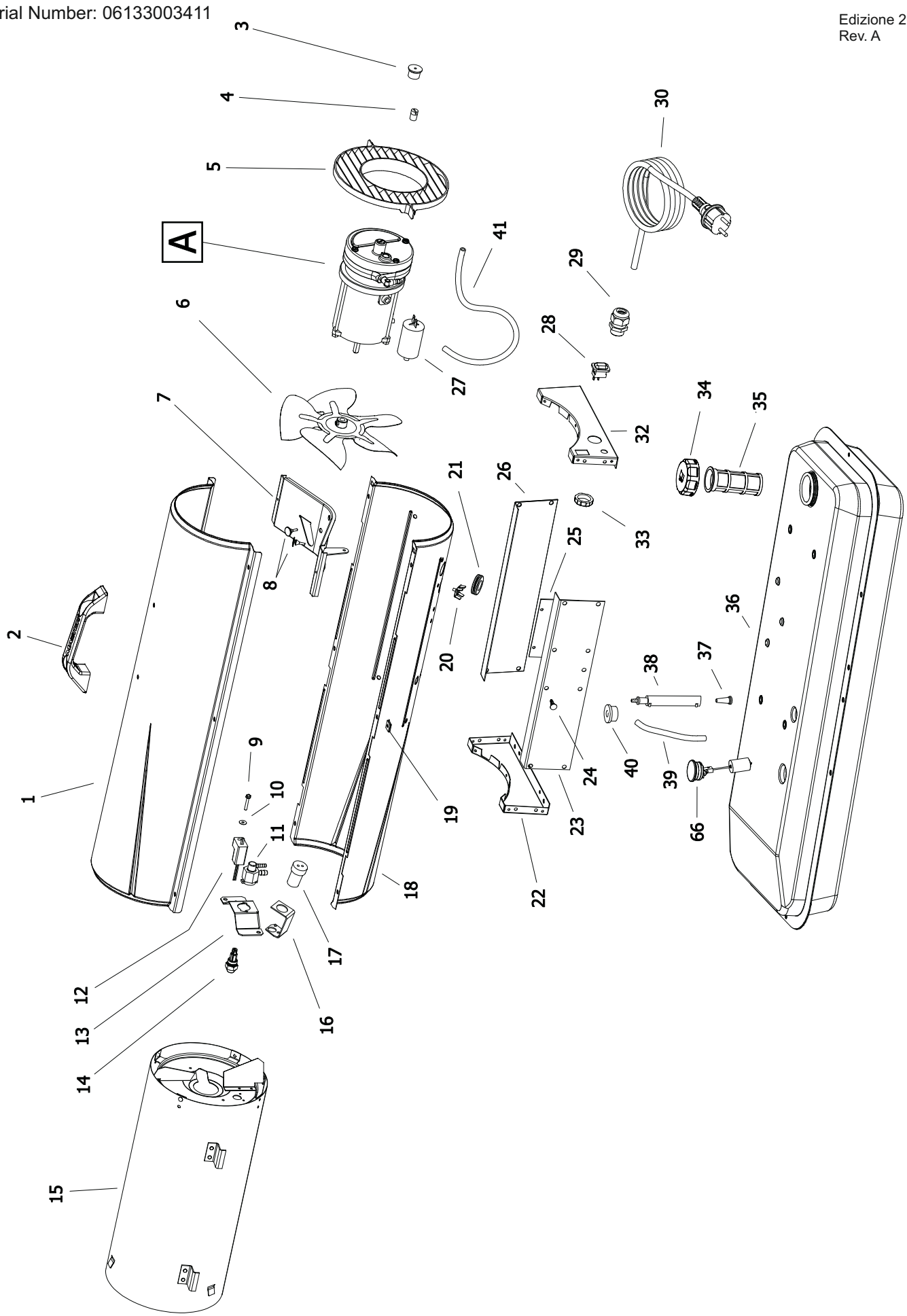
| Pos. | Code NR | Description |
|-------------|----------------|-------------------------|
| 34 | 4103.891 | FUEL TANK CAP |
| 35 | 4105.292 | FUEL TANK FILTER |
| 36 | 4110.384 | FUEL TANK |
| 37 | 4110.356 | FUEL FILTER |
| 38 | 4110.391 | FUEL LINE |
| 39 | 4110.032 | FUEL LINE |
| 40 | 4100.541 | RUBBER BUSHING |
| 41 | 4104.147 | AIR LINE |
| 42 | 4110.480 | MOTOR 1/8 HP |
| 43 | 4108.635 | INSERT |
| 44 | 4101.317 | PUMP BODY |
| 45 | 4108.588 | PUMP BODY SCREW |
| 46 | 4101.200 | BLADE |
| 47 | 4108.627 | ROTOR |
| 48 | 4100.661 | BARB ELBOW |
| 49 | 4109.724 | PUMP END COVER |
| 50 | 4109.716 | LINT FILTER |
| 51 | 4108.528 | SCREW/LOCKWASHER 4,8x25 |
| 52 | 4109.708 | OUTPUT FILTER |
| 53 | 4109.690 | INTAKE FILTER |
| 54 | 4109.674 | END COVER |
| 55 | 4108.379 | STEEL BALL |
| 56 | 4102.141 | PRESSURE RELIEF SPRING |
| 57 | 4102.133 | ADJUSTING SCREW |
| 66 | 4260.006 | FUEL GAUGE |
| ... | 4103.925 | WHEEL KIT HD B35/70 |

B 65 CEL MODEL 2013

UNIT 1

ILLUSTRATED PARTS BREAKDOWN

Edizione 2013
Rev. A

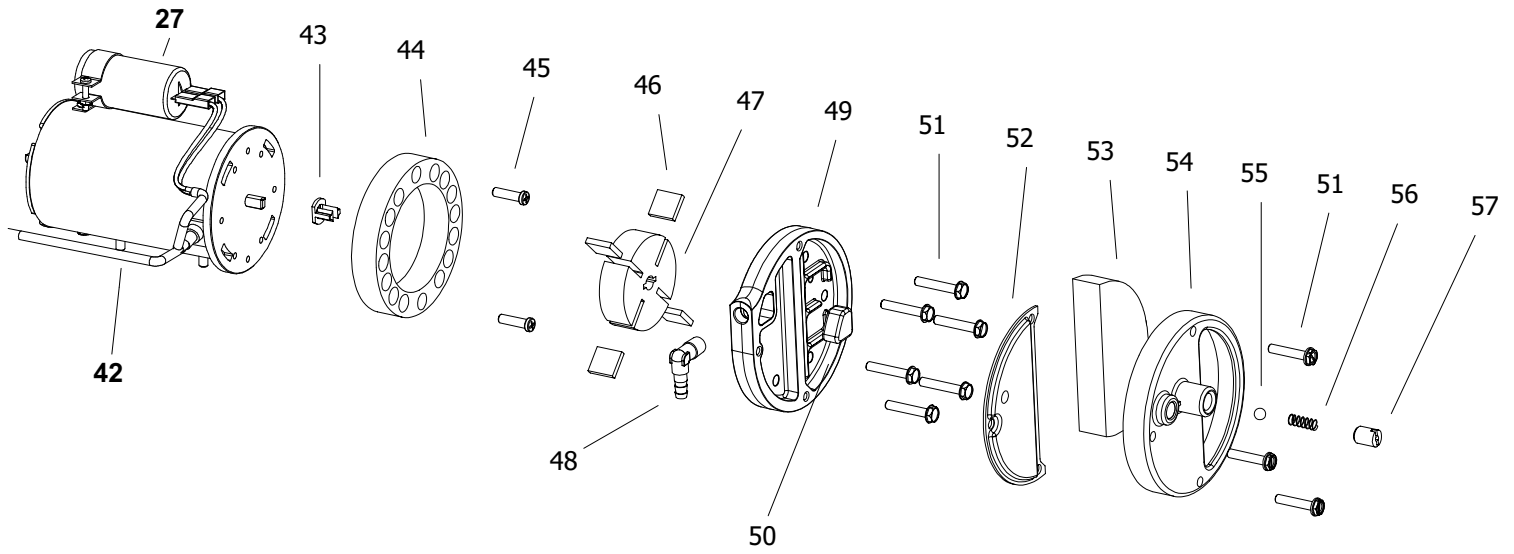


B 65 CEL MODEL 2013

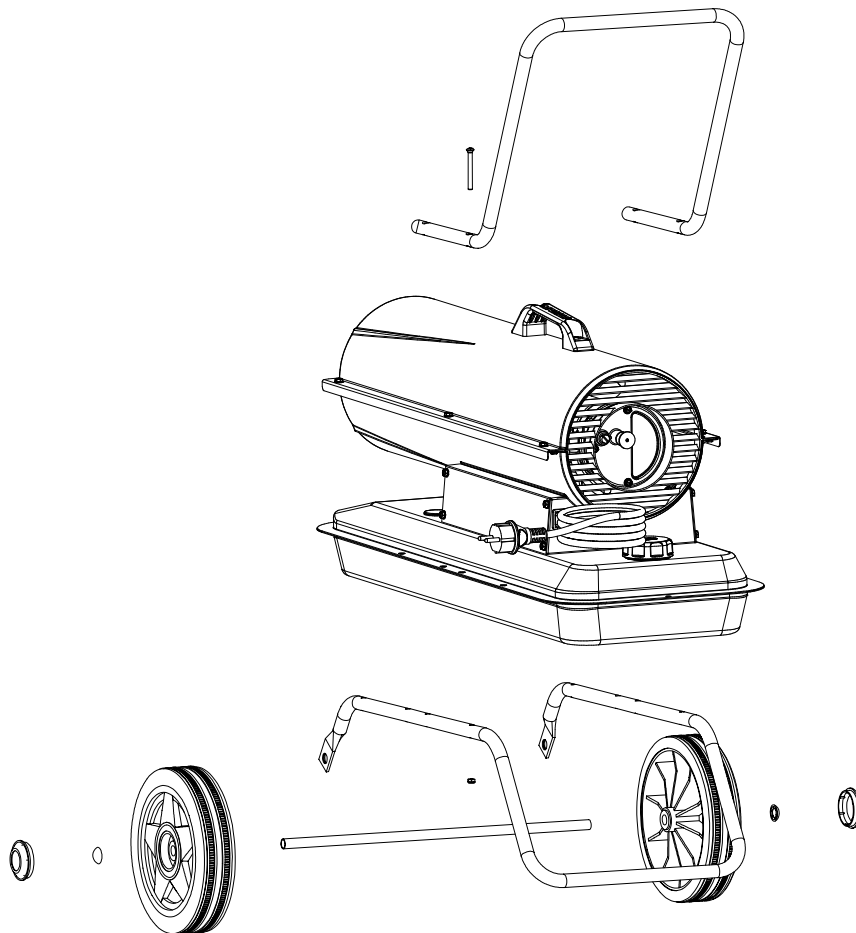
UNIT 2

ILLUSTRATED PARTS BREAKDOWN

A



4103.925 Wheel Kit



| Pos. | Code NR | Description |
|-------------|----------------|------------------------------|
| 1 | 4109.808 | UPPER SHELL |
| 2 | 4162.934 | PLASTIC HANDLE |
| 3 | 4100.666 | COVER CAP |
| 4 | 4102.125 | PRESSURE GAUGE CAP |
| 5 | 4109.812 | FAN GUARD |
| 6 | 4100.662 | FAN |
| 7 | 4110.187 | MOTOR BRACKET |
| 8 | 4150.553 | BUMPER |
| 9 | 4100.669 | SCREW |
| 10 | 4100.660 | WASHER |
| 11 | 4100.663 | NOZZLE ADAPTER |
| 12 | 4110.132 | IGNITOR |
| 13 | 4100.653 | NOZZLE BRACKET |
| 14 | 4100.647 | NOZZLE |
| 15 | 4110.126 | COMBUSTION CHAMBER |
| 16 | 4100.658 | PHOTOCELL BRACKET |
| 17 | 4103.590 | PHOTOCELL ASSEMBLY |
| 18 | 4109.809 | LOWER SHELL |
| 19 | 4104.170 | CLIP NUT |
| 20 | 4160.639 | POP RIVET WITH TERMIN. 4 WAY |
| 21 | 4160.646 | CABLE PROTECTION |
| 22 | 4110.113 | FRONT FRAME BRACKET |
| 23 | 4106.211 | CONTROL BOX SIDE PANEL |
| 24 | 4110.460 | PC BOARD SUPPORT |
| 25 | 4110.142 | IGNITION CONTROL ASSEMBLY |
| 26 | 4106.210 | SIDE PANEL |
| 27 | 4111.854 | CAPACITOR 7,5UF |
| 27 | 4110.293 | CAPACITOR 5UF |
| 28 | 4100.667 | ON/OFF SWITCH |
| 29 | 4150.528 | STRAIN RELIEF |
| 30 | 4110.451 | POWER CORD |
| 30-A | 4111.811 | POWER CORD NEW ZEALAND |
| 30-B | 4110.464 | POWER CORD UK |

| Pos. | Code NR | Description |
|-------------|----------------|-------------------------|
| 32 | 4110.114 | REAR FRAME BRACKET |
| 33 | 4100.656 | LOCKNUT |
| 34 | 4260.007 | FUEL TANK CAP |
| 35 | 4290.026 | FUEL TANK FILTER |
| 36 | 4110.895 | FUEL TANK |
| 37 | 4110.356 | FUEL FILTER |
| 38 | 4110.391 | FUEL LINE |
| 39 | 4110.032 | FUEL LINE |
| 40 | 4100.541 | RUBBER BUSHING |
| 41 | 4104.147 | AIR LINE |
| 42 | 4110.480 | MOTOR 1/8 HP |
| 43 | 4108.635 | INSERT |
| 44 | 4101.317 | PUMP BODY |
| 45 | 4108.588 | PUMP BODY SCREW |
| 46 | 4101.200 | BLADE |
| 47 | 4108.627 | ROTOR |
| 48 | 4100.661 | BARB ELBOW |
| 49 | 4109.724 | PUMP END COVER |
| 50 | 4109.716 | LINT FILTER |
| 51 | 4108.528 | SCREW/LOCKWASHER 4,8x25 |
| 52 | 4109.708 | OUTPUT FILTER |
| 53 | 4109.690 | INTAKE FILTER |
| 54 | 4109.674 | END COVER |
| 55 | 4108.379 | STEEL BALL |
| 56 | 4102.141 | PRESSURE RELIEF SPRING |
| 57 | 4102.133 | ADJUSTING SCREW |
| 66 | 4260.006 | FUEL GAUGE |
| ... | 4103.925 | WHEEL KIT HD B35/70 |

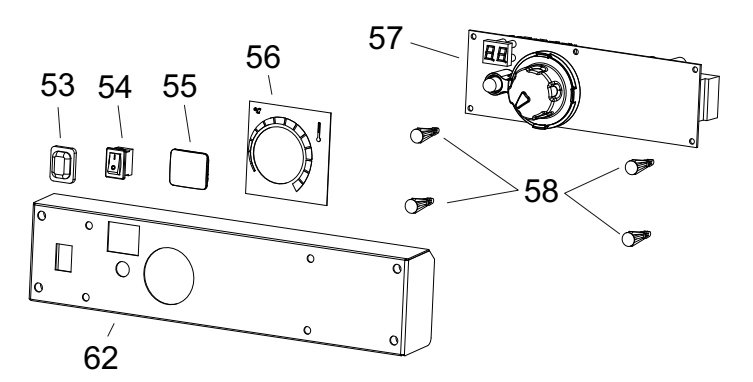
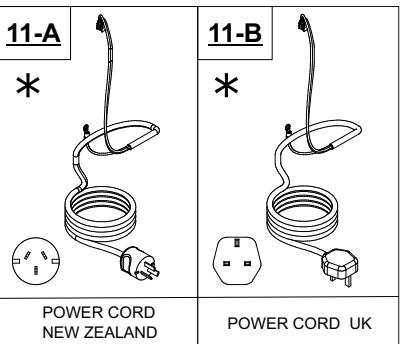
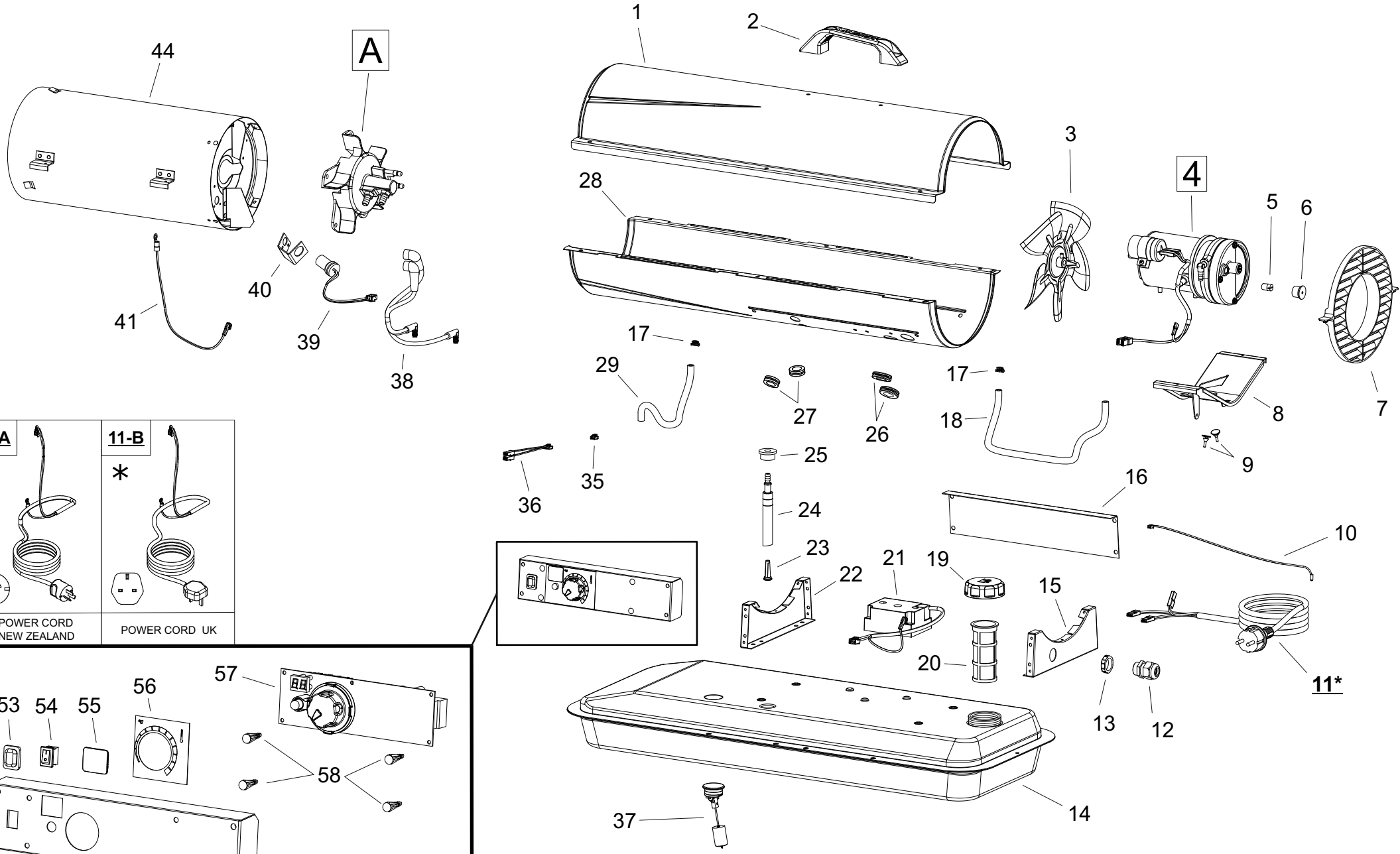
MODEL B 65CEL

UNIT 1

ILLUSTRATED PARTS BREAKDOWN

From Serial Number: 134009372

Rev.F - Nov. 2014



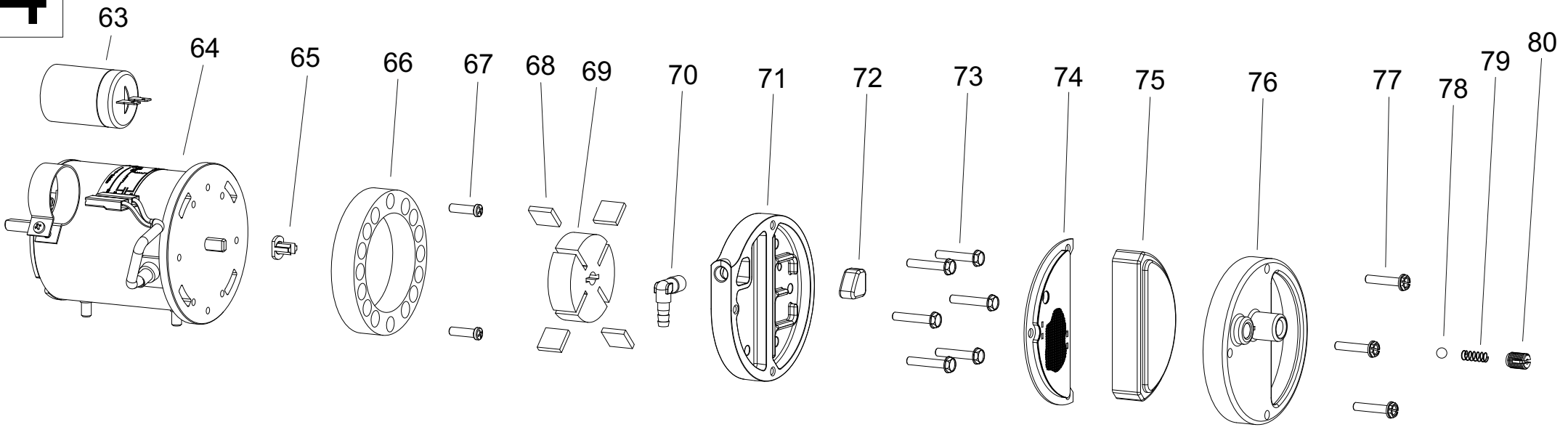
MODEL B 65CEL

UNIT 2

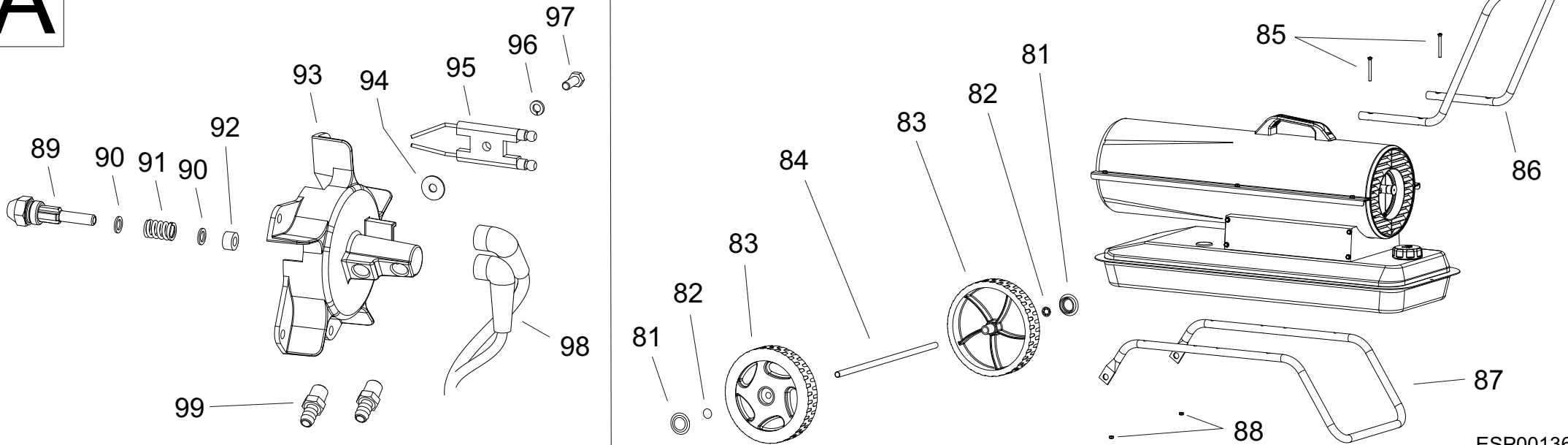
ILLUSTRATED PARTS BREAKDOWN

4

MOTOR-PUMP COMPLETE - COD. 4110.429



A



ESP00136

| Pos. | Code NR | Description |
|-------------|----------------|--------------------------------|
| 1 | 4109.808 | UPPER SHELL |
| 2 | 4162.934 | HANDLE |
| 3 | 4100.662 | FAN |
| 4 | 4110.429 | MOTOR-PUMP COMPLETE |
| 5 | 4102.125 | PRESSURE SCREW |
| 6 | 4100.666 | PRESSURE CAP |
| 7 | 4109.812 | INLET GRID |
| 8 | 4110.187 | MOTOR BRACKET |
| 9 | 4150.553 | BUMPER |
| 10 | 4220.119 | TEMPERATURE SONDE WIRE |
| 11 | 4160.539 | POWER CORD SCHUKO |
| 11-A | 4111.748 | POWER CORD NEW ZEALAND |
| 11-B | 4160.540 | POWER CORD UK |
| 12 | 4150.528 | STRAIN RELIEF |
| 13 | 4100.656 | NUT |
| 14 | 4111.844 | TANK |
| 15 | 4101.024 | REAR SUPPORT |
| 16 | 4106.210 | LATERAL PANEL |
| 17 | 4110.159 | BIFILAR CLAMP |
| 18 | 4104.147 | AIR PIPE |
| 19 | 4100.052 | TANK CAP |
| 20 | 4290.026 | TANK FILTER |
| 21 | 4101.019 | HIGH TENSION TRANSFORMER |
| 22 | 4110.113 | FRONT SUPPORT |
| 23 | 4110.356 | FUEL FILTER |
| 24 | 4110.391 | FUEL PIPE |
| 25 | 4100.541 | RUBBER BUSHING |
| 26 | 4160.646 | STRAIN RELIEF |
| 27 | 4101.151 | STRAIN RELIEF |
| 28 | 4111.924 | LOWER SHELL |
| 29 | 4110.032 | FUEL PIPE VALVE-NOZZLE |
| 35 | 4220.120 | BRIDGE WIRE |
| 36 | 4220.167 | SWITCH WIRE |
| 37 | 4260.006 | FUEL GAUGE |
| 38 | 4111.831 | HT CABLE |
| 39 | 4220.115 | PHOTOCELL |
| 40 | 4100.658 | PHOTOCELL BRACKET |
| 41 | 4109.894 | GROUND COMBUSTION CHAMBER WIRE |
| 44 | 4104.090 | COMBUSTION CHAMBER |

| Pos. | Code NR | Description |
|-------------|----------------|--------------------------|
| 53 | 4104.336 | SWITCH COVER |
| 54 | 4106.179 | SWITCH |
| 55 | 4201.068 | DISPLAY COVER |
| 56 | 4106.032 | CONTROL PANEL LABEL |
| 57 | 4220.170 | PC-BOARD |
| 58 | 4101.021 | PC-BOARD SPACER |
| 62 | 4101.032 | CONTROL PANEL |
| 63 | 4111.854 | CAPACITOR |
| 64 | 4111.851 | MOTOR |
| 65 | 4108.635 | MOTOR COUPLING |
| 66 | 4101.317 | PUMP BODY |
| 67 | 4108.588 | PUMP BODY SCREW |
| 68 | 4101.200 | ROTOR BLADE |
| 69 | 4108.627 | ROTOR |
| 70 | 4100.661 | 90° CONNECTION |
| 71 | 4109.724 | OIL PUMP ALUMINIUM PLATE |
| 72 | 4109.716 | INTERNAL AIR FILTER |
| 73 | 4108.536 | SCREW |
| 74 | 4109.708 | OUTLET AIR FILTER |
| 75 | 4109.690 | INLET AIR FILTER |
| 76 | 4109.674 | CLOSING PLATE |
| 77 | 4108.528 | SCREW/LOCKWASHER 4,8x25 |
| 78 | 4108.379 | STEEL BALL |
| 79 | 4102.141 | SPRING |
| 80 | 4102.133 | REGULATION SCREW |
| 89 | 4103.486 | NOZZLE |
| 90 | 4100.525 | WASHER |
| 91 | 4100.533 | SPRING |
| 92 | 4101.622 | SLEEVE |
| 93 | 4110.399 | BURNER HEAD |
| 94 | 4110.394 | FIBER WASHER |
| 95 | 4110.337 | BIFILAR ELECTRODE |
| 96 | 4110.393 | ELASTIC WASHER |
| 97 | 4110.363 | SCREW |
| 98 | 4111.831 | HT CABLE |
| 99 | 4104.118 | CONNECTION STRAIGHT |